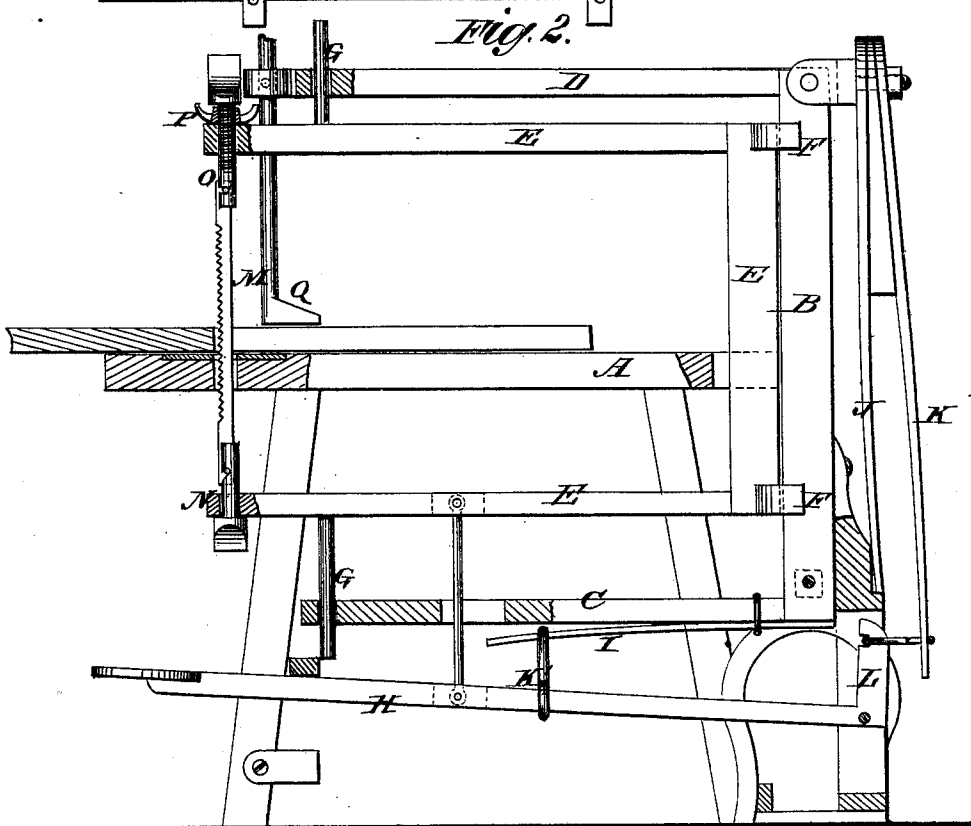
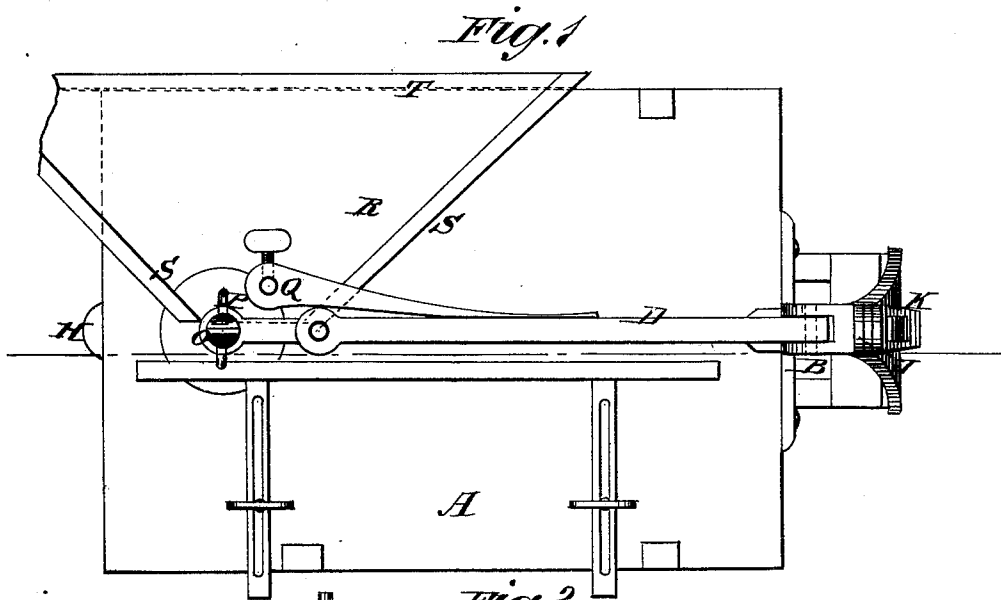


P. HUGHES.

JIG-SAW.

No. 175,101.

Patented March 21, 1876.



WITNESSES:

Francis McArthur,  
John Goethals

INVENTOR:

Peter Hughes

BY

Munn & Co.  
ATTORNEYS.

# UNITED STATES PATENT OFFICE.

PETER HUGHES, OF NEW YORK, N. Y.

## IMPROVEMENT IN JIG-SAWS.

Specification forming part of Letters Patent No. **175,101**, dated March 21, 1876; application filed February 21, 1876.

*To all whom it may concern:*

Be it known that I, PETER HUGHES, of the city, county, and State of New York, have invented an Improvement in Jig-Saws, of which the following is a specification:

My invention consists of a novel spring contrivance and an elbow foot-treadle for working the saw-gate, whereby a simple and efficient mechanism is provided for working a jig-saw.

Figure 1 is a top view of my improved jig-saw, and Fig. 2 is a sectional elevation.

Similar letters of reference indicate corresponding parts.

A is the bench or table; B, C, and D, the stationary frame, in which the saw-gate E works by the guides F G, the gate being pressed down by the foot-treadle H, and raised by the springs I, J, and K, spring I being attached to the under side of the stationary frame C, and connected to the treadle by the link K', spring J being attached by both ends to beam B, and spring K being attached at its upper end to beam B, and at the

lower end to the short arm L of the foot-treadle. The saw M is connected to the arms of the saw-gate by the turning studs N O, for shifting it to any direction, and stud O has the straining-nut P screwed on it. Q is the presser-foot for keeping the work in position. R is the miter-box gage for sawing miters, the same being a board with right-angled sides S, and a flange, T, to gage it to the table, so that the base of the triangle runs parallel with the saw, and said board and sides S terminate short of the intersecting point of the sides to allow the work to project sufficiently to be sawed to the required bevel.

Having thus described my invention, I claim as new and desire to secure by Letters Patent—

The springs I, J, and K, combined and arranged with the foot-treadle H and the saw-gate E, substantially as specified.

PETER HUGHES.

Witnesses:

T. B. MOSHER,  
ALEX. F. ROBERTS.